



# TECHNICAL SPECIFICATIONS

## Cushion Gas Forklift Trucks

GC15S/GC18S-5 & GC20SC-5

GC20E/GC25E/GC30E/GC33E-5

GC20P/GC25P/GC30P/GC33P-5

1,500kg to 3,000kg Capacity

**PRO5**  
SERIES



# 1,500/1,750/2,000 kg Capacities

## Cushion Forklift

### MAIN VEHICLE SPECIFICATIONS

CHARACTERISTICS	1	Manufacture			DOOSAN	DOOSAN	DOOSAN	
	2	Model			GC15S-5	GC18S-5	GC20SC-5	
	3	Load Capacity	at rated load center	kg	1,500	1,750	2,000	
	4	Load Center		mm	500	500	500	
	5	Power type	Elec, Diesel, LPG, Gasoline		LP	LP	LP	
	6	Operator type			Driver-seated	Driver-seated	Driver-seated	
	7	Tire type	P:Pnu, E:Solid Soft, C: Cushion		C	C	C	
	8	Wheels (x=Driven)	Front/Rear		X 2 / 2	X 2 / 2	X 2 / 2	
DIMENSIONS	9	Max. Fork Height	with STD 2-stage mast	mm	3,000	3,000	3,000	
	10	Free Lift		mm	130	130	135	
	12	Fork Carriage	ISO Class		II	II	II	
	13	Forks	Length x Width x Thickness	mm	1,050 x 100 x 35	1,050 x 100 x 35	1,050 x 100 x 40	
			Fork Spacing(Min x Max)	mm	240x 905	240x 905	240x 905	
	14	Tilt of Mast	Forward/Backward	deg	6 / 8	6 / 8	6 / 8	
	15	Overall Dimensions	Length to Fork Face	mm	2,051.5	2,106.5	2,138.5	
			Overall Width	mm	940	991	991	
			Mast Lowered Height	mm	1,980	1,980	1,980	
			Mast Extended Height	mm	4,045	4,045	4,050	
			Overhead Guard Height	mm	2,060	2,060	2,060	
			Seat Height	mm	1,000	1,000	1,000	
	21	Turning Radius	Minimum outside	mm	1816.0	1,881	1,932	
	22	Load Moment Center		mm	394	394	399	
	23	Aisle 90 degree stacking(add load length & clearance)		mm	2,210	2,275	2,331	
PERFORMANCE	24	Travel Speed	Loaded/Unloaded	km/h	18.0 / 18.5	18.0 / 18.5	18.0 / 18.5	
	25	Lifting Speed	Loaded/Unloaded	mm/s	600 / 650	600 / 650	600 / 650	
	26	Lowering Speed	Loaded/Unloaded	mm/s	500 / 450	500 / 450	500 / 450	
	28	Max. drawbar pull	Loaded at 1.0 mph (1.6km/h)	kg	635	635	635	
	30	Max. gradeability	Loaded at 1.0 mph (1.7km/h)	%	37	32	30	
	WEIGHT	32	Total Service Weight, Unloaded		kg	2,695	2,955	3,085
33		Axle Load	Loaded, Front/Rear	kg	3,685 / 510	4,035 / 670	4,435 / 650	
			Unloaded, Front/Rear	kg	1,075 / 1,620	995 / 1,960	955 / 2,130	
35			Number of wheels(F/R)			2 / 2	2 / 2	
36	Tires	Size, Front			18 x 6 x 12.12	18 x 7 x 12.12	18 x 7 x 12.12	
		Size, Rear			14 x 5 x 10	14 x 5 x 10	14 x 5 x 10	
38	Wheel Base	Distance	mm	1,225	1,225	1,225		
39	Tread Width	Front/Rear	mm	787 / 787	813 / 787	813 / 787		
40	Ground Clearance	Loaded at the lowest point	mm	75	75	75		
		Loaded at center of wheelbase	mm	110	110	110		
42	Brakes	Service			Foot / Hyd	Foot / Hyd	Foot / Hyd	
		Parking			Hand / Mech	Hand / Mech	Hand / Mech	
45	Battery	Voltage/Ampere	V/AH		12 / 45	12 / 45	12 / 45	
POWER TRAIN	49	Engine	Manufacturer/Model		G420FE	G420FE	G420FE	
			Rated Power(DIN)	HP/rpm		46 / 2,300	46 / 2,300	46 / 2,300
				kW/rpm		34 / 2,300	34 / 2,300	34 / 2,300
			51	Maximum Torque		kg-m/rpm	15 / 1,600	15 / 1,600
	52	Cylinders/Displacements		CC	4 / 1,975	4 / 1,975	4 / 1,975	
55	Transmission	Type			powershift	powershift	powershift	
		Number of Speed (Fwd/Rev)			1 / 1	1 / 1	1 / 1	
57	Hydraulic Pressure	System	bar		176	199	216	
		Attachment	bar		176	199	216	

Note: Specification values quoted in this specification sheet has been rounded. Performance may vary due to operation conditions.  
Products and specifications are subject to improvement and change without prior notices.



# MAST SPECIFICATIONS and RATED CAPACITIES

## GC15S-5

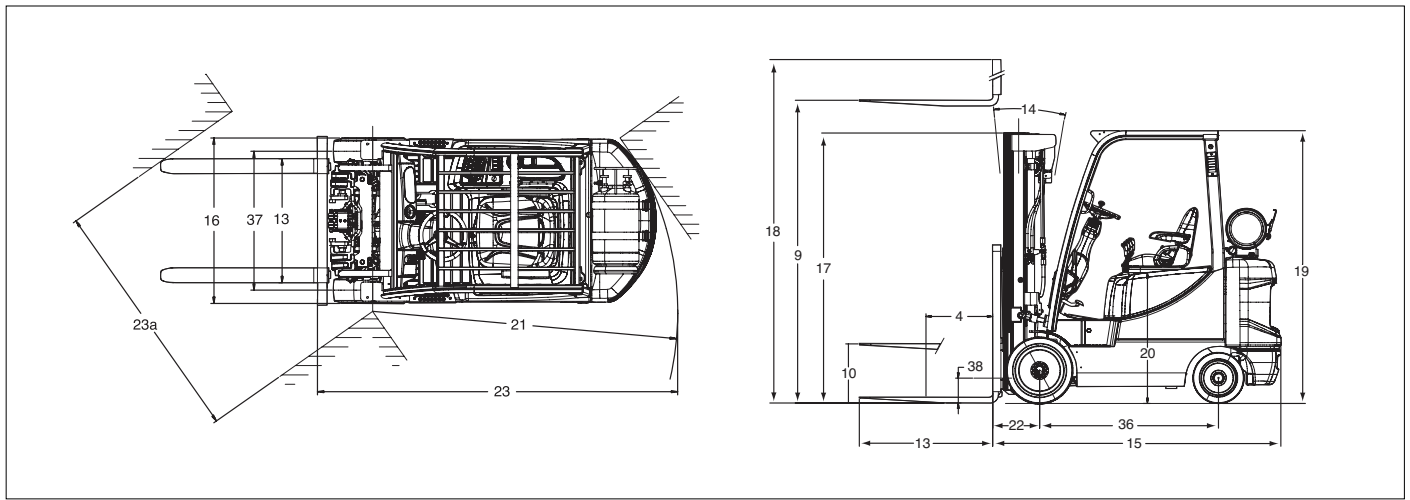
Mast type	Maximum Fork Height	Maximum Lowered Height	Fully Extended Height	Free Lift	Rated Load Capacities					
					GC15S-5					
					With Load Backrest	With Load Backrest	Tilt Angle		Load Capacities	
							FWD	BWD	Narrow Tire LC 500mm	Wide Tire LC 500mm
mm	mm	mm	mm	deg	deg	kg	kg			
STD	3000	1980	4045	130	6	8	1500	1500		
	3300	2130	4345	130	6	8	1500	1500		
	3500	2230	4545	130	6	8	1500	1500		
	3700	2330	4745	130	6	8	1475	1475		
	4000	2530	5045	130	6	8	1425	1425		
FF	4500	2780	5545	130	6	8	1350	1350		
	2700	1830	3745	825	6	5	1500	1500		
	3000	1980	4045	975	6	5	1500	1500		
FFT	3300	2130	4345	1125	6	5	1500	1500		
	4000	1860	5050	855	6	5	1400	1400		
	4500	2025	5545	1020	6	5	1325	1325		
	4750	2110	5795	1105	6	5	1300	1300		
	5000	2225	6045	1220	6	5	1275	1275		
6000	2460	6550	1455	1455	6	5	925	1200		
	2625	7045	1620	1620	6	5	600	850		

## GC18S-5

Mast type	Maximum Fork Height	Maximum Lowered Height	Fully Extended Height	Free Lift	Rated Load Capacities					
					GC18S-5					
					With Load Backrest	With Load Backrest	Tilt Angle		Load Capacities	
							FWD	BWD	Narrow Tire LC 500mm	Wide Tire LC 500mm
mm	mm	mm	mm	deg	deg	kg	kg			
STD	3000	1980	4045	130	6	8	1750	1750		
	3300	2130	4345	130	6	8	1750	1750		
	3500	2230	4545	130	6	8	1750	1750		
	3700	2330	4745	130	6	8	1750	1750		
	4000	2530	5045	130	6	8	1750	1750		
FF	4500	2780	5545	130	6	8	1625	1675		
	2700	1830	3745	825	6	5	1750	1750		
	3000	1980	4045	975	6	5	1750	1750		
FFT	3300	2130	4345	1125	6	5	1750	1750		
	4000	1860	5050	855	6	5	1725	1725		
	4500	2025	5545	1020	6	5	1650	1650		
	4750	2110	5795	1105	6	5	1625	1625		
	5000	2225	6045	1220	6	5	1575	1575		
5500	2460	6550	1455	1455	6	5	1050	1450		
	2625	7045	1620	1620	6	3	1000	1375		

## GC20SC-5

Mast type	Maximum Fork Height	Maximum Lowered Height	Fully Extended Height	Free Lift	Rated Load Capacities					
					GC20SC-5					
					With Load Backrest	With Load Backrest	Tilt Angle		Load Capacities	
							FWD	BWD	Narrow Tire LC 500mm	Wide Tire LC 500mm
mm	mm	mm	mm	deg	deg	kg	kg			
STD	3000	1980	4050	135	6	8	2000	2000		
	3300	2130	4350	135	6	8	2000	2000		
	3500	2230	4550	135	6	8	2000	2000		
	3700	2330	4750	135	6	8	1975	1975		
	4000	2530	5050	135	6	8	1925	1925		
FF	4500	2780	5550	135	6	8	1475	1850		
	2700	1830	3750	825	6	5	2000	2000		
	3000	1980	4050	975	6	5	2000	2000		
FFT	3300	2130	4350	1125	6	5	2000	2000		
	4000	1860	5055	855	6	5	1900	1900		
	4500	2025	5550	1020	6	5	1825	1825		
	4750	2110	5800	1105	6	5	1775	1775		
	5000	2225	6050	1220	6	5	1525	1750		
5500	2460	6555	1455	1455	6	3	1375	1650		
	2625	7050	1620	1620	6	3	900	1275		



**GC20S (E.P) -5**

Mast type	Maximum Fork Height	Maximum Lowered Height	Fully Extended Height	Free Lift	Rated Load Capacities							
					GC20S (E.P) -5						Load Capacities	
					Tilt Angle				Narrow		Wide	
					FWD	BWD	FWD	BWD	LC500mm	LC500mm		
	mm	mm	mm	mm	deg	deg	deg	deg	kg	kg		
STD	2030	1530	3280	147	6	8	6	8	2000	2000		
	2580	1805	3830	147	6	8	6	8	2000	2000		
	2950	1990	4200	147	6	8	6	8	2000	2000		
	3230	2130	4480	147	6	8	6	8	2000	2000		
	3500	2380	4755	147	6	8	6	8	2000	2000		
	3800	2530	5055	147	6	8	6	8	2000	2000		
	3950	2605	5205	147	6	8	6	8	2000	2000		
	4350	2805	5605	147	6	8	6	8	2000	2000		
FF	2580	1805	3830	600	6	5	6	5	2000	2000		
	2950	1990	4200	785	6	8	6	8	2000	2000		
	3230	2130	4480	925	6	8	6	8	2000	2000		
	3600	2380	4855	1175	6	8	6	8	2000	2000		
FFT	3900	1855	5155	650	6	5	6	5	2000	2000		
	4290	1990	5560	785	6	5	6	5	2000	2000		
	4730	2130	5980	925	6	5	6	5	1925	1925		
	5560	2480	6805	1275	6	5	6	5	1800	1800		
	6010	2630	7255	1425	6	5	6	5	1700	1725		
	6500	2870	7750	1665	6	3	6	5	1650	1650		

**GC25S (E.P) -5**

Mast type	Maximum Fork Height	Maximum Lowered Height	Fully Extended Height	Free Lift	Rated Load Capacities							
					GC25S (E.P) -5						Load Capacities	
					Tilt Angle				Narrow		Wide	
					FWD	BWD	FWD	BWD	LC500mm	LC500mm		
	mm	mm	mm	mm	deg	deg	deg	deg	kg	kg		
STD	2030	1530	3280	147	6	8	6	8	2500	2500		
	2580	1805	3830	147	6	8	6	8	2500	2500		
	2950	1990	4200	147	6	8	6	8	2500	2500		
	3230	2130	4480	147	6	8	6	8	2500	2500		
	3500	2380	4755	147	6	8	6	8	2500	2500		
	3800	2530	5055	147	6	8	6	8	2500	2500		
	3950	2605	5205	147	6	8	6	8	2500	2500		
	4350	2805	5605	147	6	8	6	8	2425	2425		
FF	2580	1805	3830	600	6	5	6	5	2500	2500		
	2950	1990	4200	785	6	8	6	8	2500	2500		
	3230	2130	4480	925	6	8	6	8	2500	2500		
	3600	2380	4855	1175	6	8	6	8	2500	2500		
FFT	3900	1855	5155	650	6	5	6	5	2500	2500		
	4290	1990	5560	785	6	5	6	5	2425	2425		
	4730	2130	5980	925	6	5	6	5	2350	2350		
	5560	2480	6805	1275	6	5	6	5	2175	2175		
	6010	2630	7255	1425	6	3	6	5	2100	2100		
	6500	2870	7750	1665	6	3	6	3	1500	2025		

**GC30S (E.P) -5**

Mast type	Maximum Fork Height	Maximum Lowered Height	Fully Extended Height	Free Lift	Rated Load Capacities					
					GC30S (E.P) -5					
					Tilt Angle				Load Capacities	
					Narrow		Wide		Narrow	Wide
		With Load Backrest	With Load Backrest	FWD	BWD	FWD	BWD	LC500mm	LC500mm	
		mm	mm	deg	deg	deg	deg	kg	kg	
STD	2030	1530	3280	152	6	8	6	8	3000	3000
	2580	1805	3830	152	6	8	6	8	3000	3000
	2950	1990	4200	152	6	8	6	8	3000	3000
	3230	2130	4480	152	6	8	6	8	3000	3000
	3500	2380	4755	152	6	8	6	8	3000	3000
	3800	2530	5055	152	6	8	6	8	3000	3000
	3950	2605	5205	152	6	8	6	8	3000	3000
	4350	2805	5605	152	6	8	6	8	2925	2925
4960	3105	6205	152	6	5	6	8	2775	2775	
FF	2580	1805	3830	605	6	5	6	5	3000	3000
	2950	1990	4200	790	6	8	6	8	3000	3000
	3230	2130	4480	930	6	8	6	8	3000	3000
	3600	2380	4855	1180	6	8	6	8	3000	3000
FFT	3900	1855	5155	655	6	5	6	5	2900	2900
	4290	1990	5560	790	6	5	6	5	2900	2900
	4730	2130	5980	930	6	5	6	5	2825	2825
	5560	2480	6805	1280	6	3	6	5	2625	2625
	6010	2630	7255	1430	6	3	6	3	2200	2550
	6500	2870	7750	1670	6	3	6	3	1275	2275

**GC33S (E.P) -5**

Mast type	Maximum Fork Height	Maximum Lowered Height	Fully Extended Height	Free Lift	Rated Load Capacities					
					GC33S (E.P) -5					
					Tilt Angle				Load Capacities	
					Narrow		Wide		Narrow	Wide
		With Load Backrest	With Load Backrest	FWD	BWD	FWD	BWD	LC600mm	LC600mm	
		mm	mm	deg	deg	deg	deg	kg	kg	
STD	2030	1530	3280	152	6	8	6	8	2950	2950
	2580	1805	3830	152	6	8	6	8	2950	2950
	2950	1990	4200	152	6	8	6	8	2950	2950
	3230	2130	4480	152	6	8	6	8	2950	2950
	3500	2380	4755	152	6	8	6	8	2950	2950
	3800	2530	5055	152	6	8	6	8	2950	2950
	3950	2605	5205	152	6	8	6	8	2950	2950
	4350	2805	5605	152	6	8	6	8	2875	2875
4960	3105	6205	152	6	5	6	8	2750	2750	
FF	2580	1805	3830	605	6	5	6	5	2950	2950
	2950	1990	4200	790	6	8	6	8	2950	2950
	3230	2130	4480	930	6	8	6	8	2950	2950
	3600	2380	4855	1180	6	8	6	8	2950	2950
FFT	3900	1855	5155	655	6	5	6	5	2900	2900
	4290	1990	5560	790	6	5	6	5	2875	2875
	4730	2130	5980	930	6	5	6	5	2800	2800
	5560	2480	6805	1280	6	3	6	5	2625	2625
	6010	2630	7255	1430	6	3	6	3	2250	2550
	6500	2870	7750	1670	6	3	6	3	1225	2375

