



## Pneumatic and Cushion LPG Forklift Trucks

G35/40/45S-5, G50/55C-5

G40/45/50/55SC-5

GC35/40/45S-5, GC50/55C-5

3,500kg to 5,500kg Capacity

**PRO5**  
SERIES



**Field proven and endurance tested...  
To give you the best forklift value on  
the market.**

That's what Doosan has put into the design, development and production of the G/GC45S-5 series, to provide customers with :



- ✓ *Optimized operator comfort & safety*
- ✓ *Proven and durable components*
- ✓ *High powered and fuel efficient diesel and LPG engines for high performance, including Low emissions and minimal vibration*
- ✓ *Enhanced maintenance and serviceability*
- ✓ *Virtually maintenance-free Oil Cooled Disc Brakes (ODB)*
- ✓ *2-speed powershift transmission*
- ✓ *Lift and tilt locking hydraulic control valve*
- ✓ *Operator Sensing System (OSS)*
- ✓ *A variety of operator friendly features*



# Operator Comfort and Driver Efficiency are Doosan's Top Priorities

Doosan forklifts are designed to keep your operations running at peak efficiency. Enhanced comfort features ensures that operators don't experience fatigue or strain during everyday operations.

Designed to be simple, and easily adjustable, this operator compartment will make your driver feel right at home.

- **High visibility overhead guard and front-end**

The wider mast window, repositioned hydraulic hoses and flat bar style overhead guard optimizes operator sight lines forward, up and to the load.



- **Integrated instrument panel**

The centralized and easy-to-read instrument panel maximizes operator efficiency. The fuel gauge, engine hour meter, engine oil pressure, coolant and transmission temperature, mast interlock, transmission neutral, seat belt, brake oil level indicator keep the operator ever aware of the vehicle performance.



- **Convenience tray**

Easy to store refreshments, paperwork, small tools, etc. for optimal operator efficiency.



- **Auto tilt leveling (optional)**

Easily returns the mast to an upright vertical position with the simple push of a button.



- **Deluxe suspension seat with Operator Sensing System (OSS)**

A comfortable deluxe suspension seat with an Operator Sensing System (OSS), a large seatback angle, longer seat travel length and operator's weight resistance on front side allow multiple adjustments for optimal seating comfort.

- ✓ Parking alarm
- ✓ Seat belt indicator
- ✓ Neutral shift feature



- **Spacious Operator compartment**

Wide open operator leg room, stepless tiltable steering column and ergonomically located operator pedals with a low cowl height facilitate ease of operation.



- **Optimum Pedal System (OPS)**

This Optimum Pedal System will reduce the operators fatigue and provide best sense of drivability. Especially, the new electronic accelerator will provide the operator with secure and exact speed control.





# Minimized Maintenance, Easy Serviceability.



Doosan's goal is to make your material handling organization as efficient and reliable as possible, by maximizing uptime to reduce overall maintenance costs.

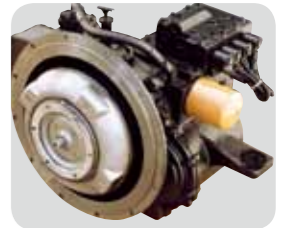
## ● Oil- Cooled Disc Brakes (ODB)

Oil cooled disc brakes are available as an option on all G(C)45S-5 series pneumatic and cushion forklifts and are especially recommended for applications in humid, abrasive or corrosive environments, or with ramp, loading and unloading applications. This enclosed brake system eliminates outside contamination, significantly extending brake life and decreasing maintenance costs. Oil cooled disc brakes have service intervals 5 times longer than conventional shoe brakes, and require little to no maintenance.



## ● Power reversal transmission

Top mounted control valve on the transmission precisely modulates clutch oil pressure for smooth forward / reverse directional changes, permitting on-the-go shifting up to 5mph.



## ● Hydrostatic steering system

- No mechanical connections between steering wheel and steer axle for reduced maintenance.
- Easy Access grease fittings for proper lubrication.
- Sealed tapered roller bearings offer protection against contamination and in high impact applications.
- Provides low effort steering with quick steering response.



## ● Air cleaner

A large capacity, dual element air cleaner permits long service intervals. The primary filter can be washed and re-used up to 5 times. A high air intake on the overhead guard is standard, and aids in drawing clean, cool air into the engine intake system.

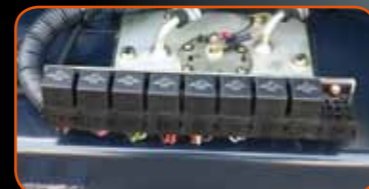


## ● Full floating drive axle

The strong one-piece cast housing keeps axle components aligned. High tensile strength alloy steel axle shafts extends axle life while splined side gear & drive wheel hub gears transmit high torque to the drive wheels.



● Toolless Side Cover and Floor Plate facilitates Serviceability



● Integration of Electrical Components for Easy Maintenance

Fuse and relay box located in front of the engine simplifies servicing



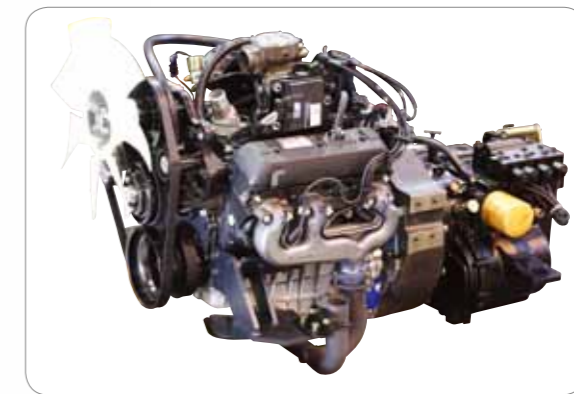
## A hallmark of Durability and Reliability



High powered and fuel - efficient LPG engines provide high performance levels and ensure long term power efficiency.

- PSI 4.3L (70kW)

Superior engine performance is driven by an ECU that intergrates and coordinates all critical functions including: governor, variable ignition timing, air-fuel ratio control and engine protection.



- Reduced fuel consumption : By using roller valve lifters for reduced friction and improved fuel economy
- Increased durability : Modular iron crankshaft has undercut & rolled fillets
- Less vibration and low noise : Counter-rotating balance shaft / Composite rocker arm cover and front cover
- High Voltage Switch (HVS) ignition distributor and coil standard
- Cast aluminum oil pan for increased strength & noise reduction
- Certi or non-certi available





**Proven Quality,  
Responsive Service and  
A Reliable Partner....**

The aftersales service of Doosan forklifts is available from your authorized local dealers backed by Doosan's own customer service center. And Doosan provides 100% parts inventory to ensure any downtime is minimized. When you own a Doosan forklift, our high quality, responsive customer support team comes with it.

The Doosan network starts with your local dealer and ends with a national team of highly qualified and experienced personnel standing ready to support all your material handling needs.

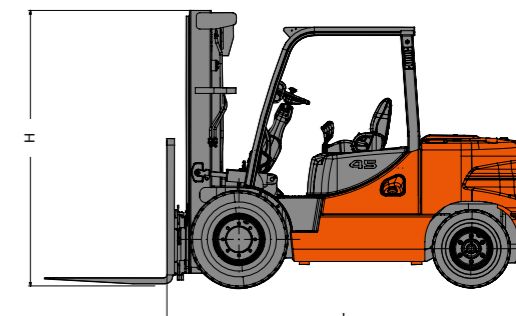
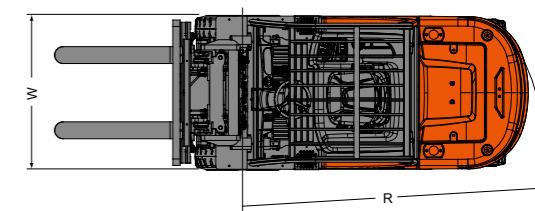


**DRIVE THE DIFFERENCE...**

■ Option Availability

● : Standard ○ : Optional

Options	G355 / G405 / G455-S & G50 / G55C-S	GC355 / GC405 / GC455-S & GC50C / GC55C-S
Fuel Cap with Key	n/a	n/a
Precleaner	○	n/a
Vertical Exhaust Tube	○	n/a
Modular Operator Cabin Type A/B/C	○	n/a
Full Operator Cabin Type D	○	n/a
Air Conditioner	○	n/a
Non Marking Tire(Solid)	○	○
Mono Ped Foot Direction and Acceleration Control	○	n/a
AutoShift (Single,Dual Tire)	○	○
Engine Shutdown	●	●
Swingdown LP MTG	○	○
Lift and Tilt Locking Hydraulic Control Valve	●	●
Auto Tilt Leveling	○	n/a
Rear Grab Bar with Horn	○	○
Hydraulic Accumulator	○	○
Integral Side Shifting Fork Positioner	○	○
Hook on Sideshifter	○	○
UL LPS,DS Rating	○	○



■ Main Specifications

Sales Model		G355-S	G405-S	G455-S	G50C-S	G55C-S
Rated Load Capacity	kg	3,500	4,000	4,500	5,000	5,500
Load Center	mm	600	600	600	600	600
Overall Length of Fork Face	L mm	3,100	3,150	3,265	3,300	3,350
Truck Overall Width	W mm	1,372	1,451	1,451	1,451	1,451
Height of Overhead Guard	H mm	2,225	2,230	2,230	2,230	2,230
Minimum Turning Radius	R mm	2,770	2,820	2,865	2,930	2,990
Travel Speed, Loaded	km/h	20/21	19.5/20.5	19.5/20.5	19.5/20.5	19.5/20.5
Lifting Speed, Loaded	mm/s	500/540	500/540	500/540	490/540	470/540
Wheel Base	mm	2,000	2,000	2,100	2,100	2,100
Engine Models		PSI 4.3L	PSI 4.3L	PSI 4.3L	PSI 4.3L	PSI 4.3L
Rated Power of Engine	kW/rpm	70.0/2,500	70.0/2,500	70.0/2,500	70.0/2,500	70.0/2,500
Max. Torque	N•m/rpm	283.9/1,800	283.9/1,800	283.9/1,800	283.9/1,800	283.9/1,800
Cylinders / Displacements	cc	4,294	4,294	4,294	4,294	4,294

Sales Model		G405C-S	G455C-S	G505C-S	G555C-S
Rated Load Capacity	kg	4,000	4,500	5,000	5,500
Load Center	mm	500	500	500	500
Overall Length of Fork Face	L mm	3,100	3,150	3,265	3,300
Truck Overall Width	W mm	1,372	1,451	1,451	1,451
Height of Overhead Guard	H mm	2,225	2,230	2,230	2,230
Minimum Turning Radius	R mm	2,770	2,820	2,865	2,930
Travel Speed, Loaded	km/h	20	19.5	19.5	19.5
Lifting Speed, Loaded	mm/s	500	500	500	490
Wheel Base	mm	2,000	2,000	2,100	2,100
Engine Models		PSI 4.3L	PSI 4.3L	PSI 4.3L	PSI 4.3L
Rated Power of Engine	kW/rpm	70.0/2,500	70.0/2,500	70.0/2,500	70.0/2,500
Max. Torque	N•m/rpm	283.9/1,800	283.9/1,800	283.9/1,800	283.9/1,800
Cylinders / Displacements	cc	4,294	4,294	4,294	4,294

Sales Model		GC355-S	GC405-S	GC455-S	GC50C-S	GC55C-S
Rated Load Capacity	kg	3,500	4,000	4,500	5,000	5,500
Load Center	mm	600	600	600	600	600
Overall Length of Fork Face	L mm	2,682	2,686	2,828	2,878	3,010
Truck Overall Width	W mm	1,270	1,270	1,420	1,420	1,420
Height of Overhead Guard	H mm	2,155	2,155	2,155	2,155	2,155
Minimum Turning Radius	R mm	2,360	2,400	2,530	2,580	2,630
Travel Speed, Loaded	km/h	18/19	18/19	18/19	18/19	18/19
Lifting Speed, Loaded	mm/s	500/550	480/550	480/500	450/500	450/500
Wheel Base	mm	1,630	1,630	1,790	1,790	1,790
Engine Models		PSI 4.3L	PSI 4.3L	PSI 4.3L	PSI 4.3L	PSI 4.3L
Rated Power of Engine	kW/rpm	70.0/2,500	70.0/2,500	70.0/2,500	70.0/2,500	70.0/2,500
Max. Torque	N•m/rpm	283.9/1,800	283.9/1,800	283.9/1,800	283.9/1,800	283.9/1,800
Cylinders / Displacements	cc	4,294	4,294	4,294	4,294	4,294



# PRO5 SERIES



G35S /G40S / G45S-5 & G50C / G55C-5  
3,500kg 4,000kg 4,500kg  
5,000kg 5,500kg  
Pneumatic Tires



GC35S / GC40S / GC45S-5  
GC50C / GC55C-5  
3,500kg 4,000kg 4,500kg  
5,000kg 5,500kg  
Cushion Tires

EUG45S5-160608v2EN (June 2016)



### Doosan Industrial Vehicle Europe nv

Europark-Noord 36A  
9100 Sint-Niklaas  
Belgium

Tel.: +32 3 760 09 87  
Fax: +32 3 760 09 89  
Website: [www.doosan-iv.eu](http://www.doosan-iv.eu)

AUTHORIZED DEALER

Product and specifications are subject to improvement and change without notice.